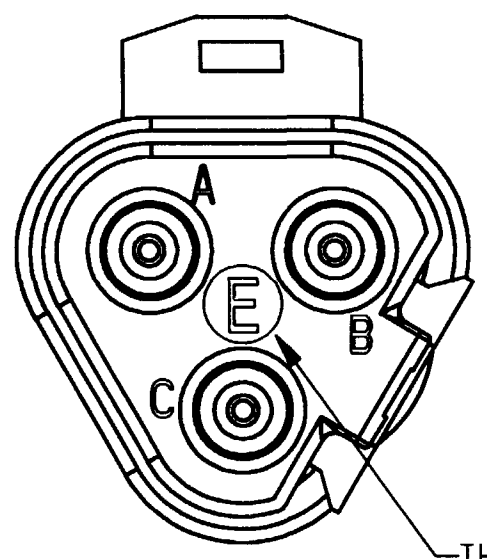
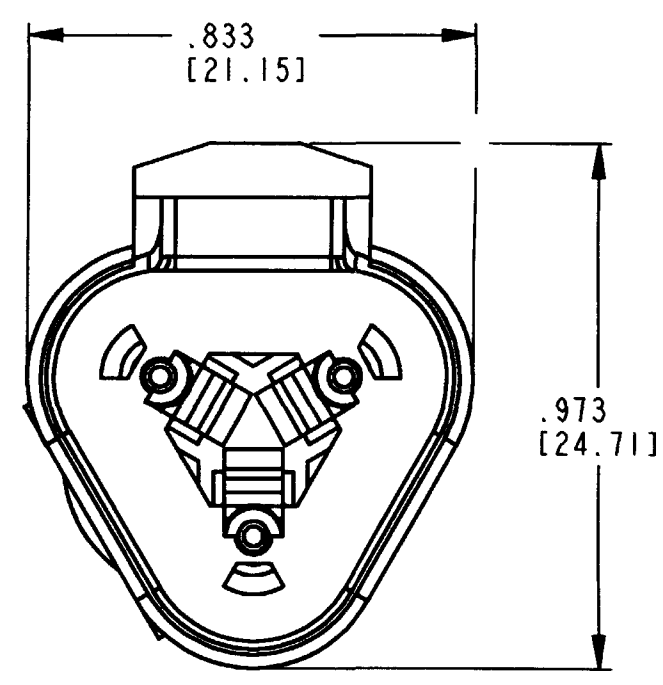
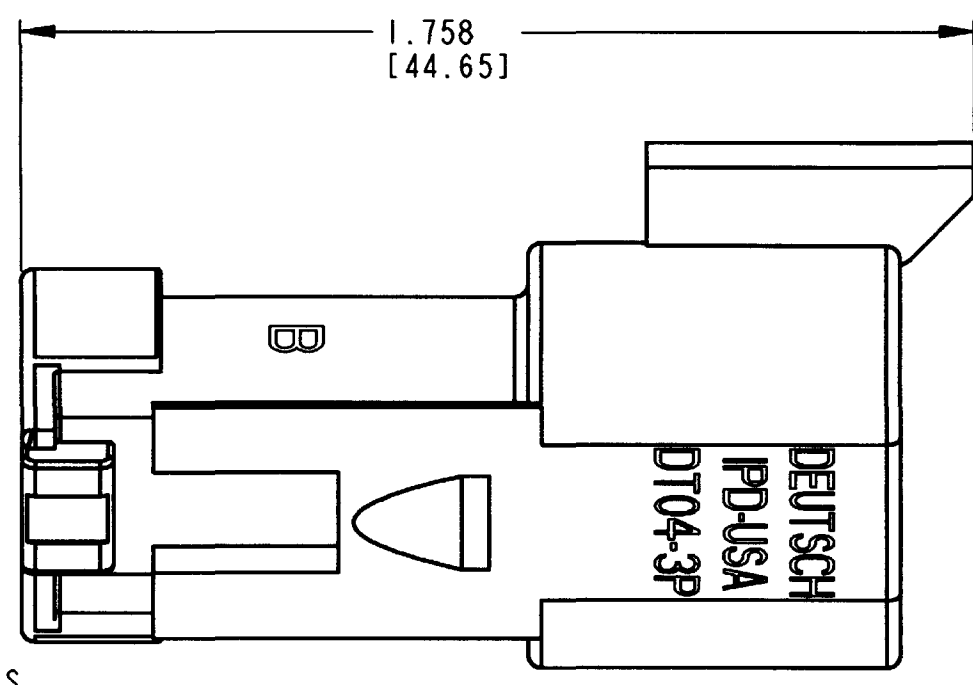


3-DIMENSIONAL VIEW



THIS MARK DESIGNATES REDUCED WIRE SEALS.



REV A	DT04-3P-CE01	REVISIONS		
SYM	DESCRIPTION	DATE	APPROVED	
NC	NEW RELEASE PER E.O. P15117	8-22-96	RDR	
A	REVISED PER E.O. P16040	8-30-00	RDR	

CONTACT SIZE	MIN. INSUL O.D.	MAX. INSUL O.D.	WIRE RANGE [mm <sup>2</sup> ]
16	.053 [1.35]	.120 [3.05]	14-20 AWG [2.0-0.5]

- NOTES:
5. THIS RECEPTACLE MATES WITH THE DT06-3S-\*\*\*\* PLUG (\*\*\*\*=ALL MODIFICATIONS) CONSULT FACTORY FOR MODIFICATION.
  4. THIS CONNECTOR CAN PASS THRU A ONE INCH [25.44] HOLE.
  3. CONSULT FACTORY FOR CONTACT SPECIFICATION AND APPLICATION.
  2. DIMENSIONS ARE ±.025[0.63] UNLESS OTHERWISE SPECIFIED.
  1. DIMENSIONS ARE IN INCHES [MILLIMETERS].

SIGNATURE & DATE	
DR	T. YOHANNES 29AUG00
CHK	<i>[Signature]</i> 8/29/00
PE	<i>[Signature]</i>
APPD	<i>[Signature]</i> 8-29-00
SCALE	3:1 WT

3 WAY RECEPTACLE  
REDUCED WIRE SEALS  
W/ CAP  
COLOR: GRAY  
CE01 MOD.  
DT SERIES  
ENVELOPE

CP	MATL. CODE
<b>The Deutsch Company</b> DEUTSCH I.P.D. 3850 INDUSTRIAL AVE. HEMET, CALIF. 92545	
<b>B</b>	<b>DT04-3P-CE01</b>
DWG SIZE	CODE 11139 SHEET   OF